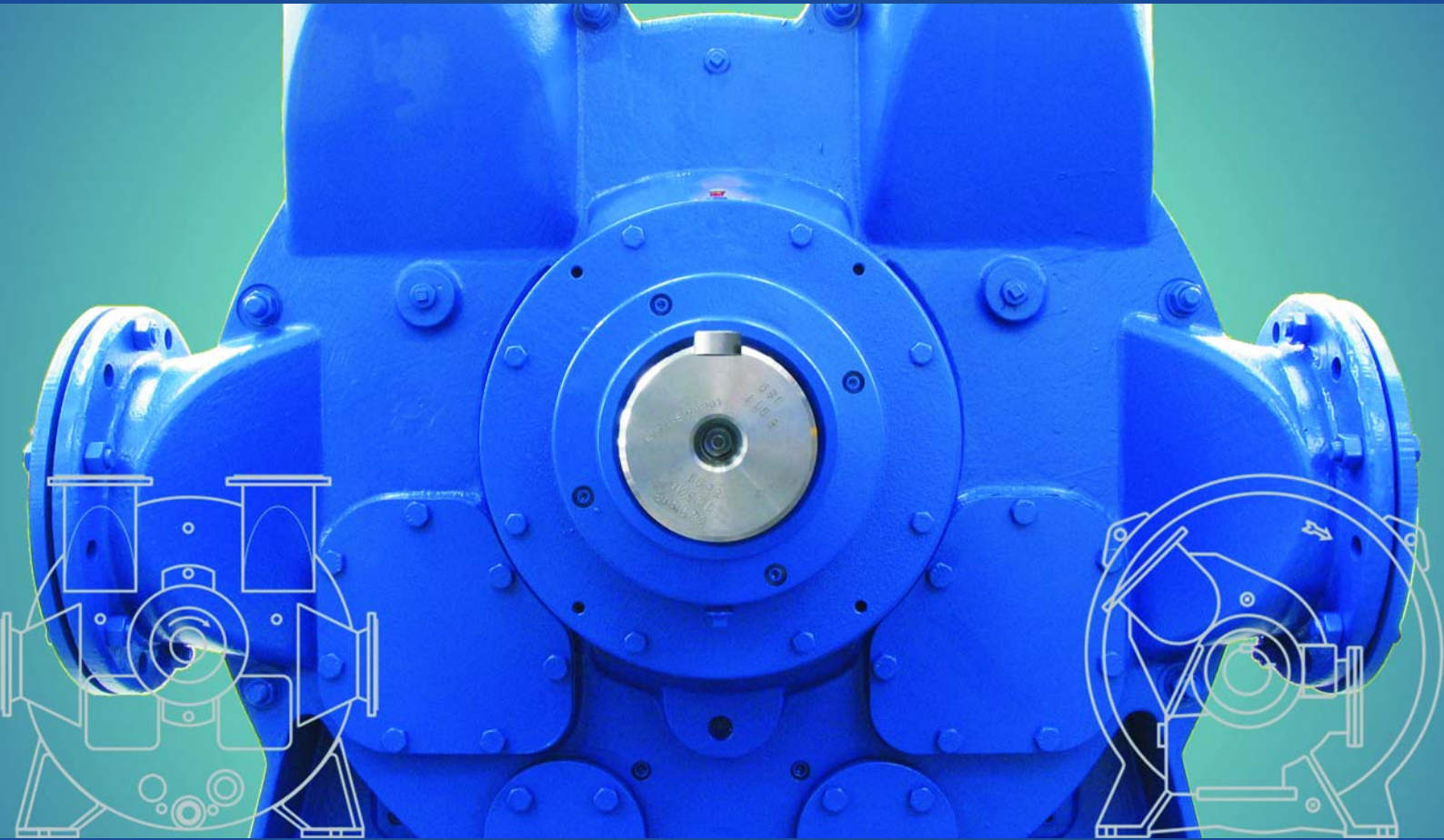


**2BE3 and P2620
Liquid Ring Vacuum Pumps and Compressors**



NASH 2BE3 and NASH P2620: A Wide Application Range

NASH 2BE3 and NASH P2620: Reliable and Efficient

The liquid ring vacuum pumps and compressors of the NASH 2BE3 and NASH P2620 series manufactured by Gardner Denver Nash meet the rigorous needs of such industries as pulp and paper, mining, geothermal, sugar, chemical process industries, and many others.

Each model of the NASH 2BE3 and NASH P2620 series pumps and compressors is equipped with an industry proven polyisoprene-lined pump casing to help protect it against corrosion and erosion. The unique inlet and discharge configuration of each pump offers flexibility in piping and the top discharge capability of the NASH 2BE3 models eliminates the need for a trench and minimizes floorspace. Each pump is 100% factory performance tested prior to shipment and is backed by a two year warranty against materials and workmanship.



Pulp and paper industry



NASH 2BE3



Mining Industry



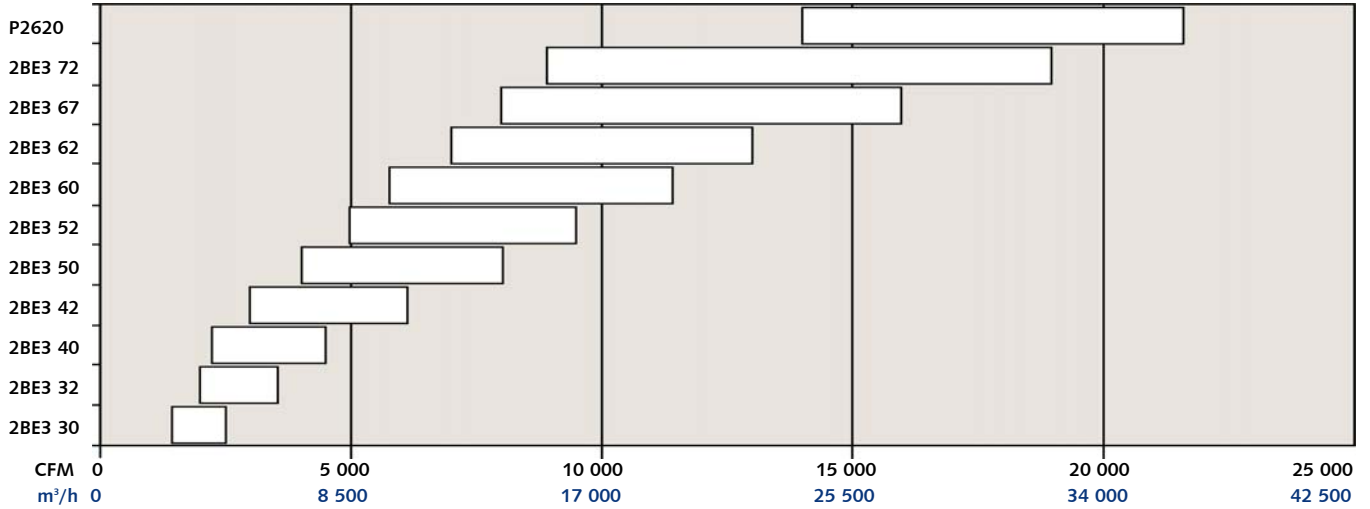
NASH P2620



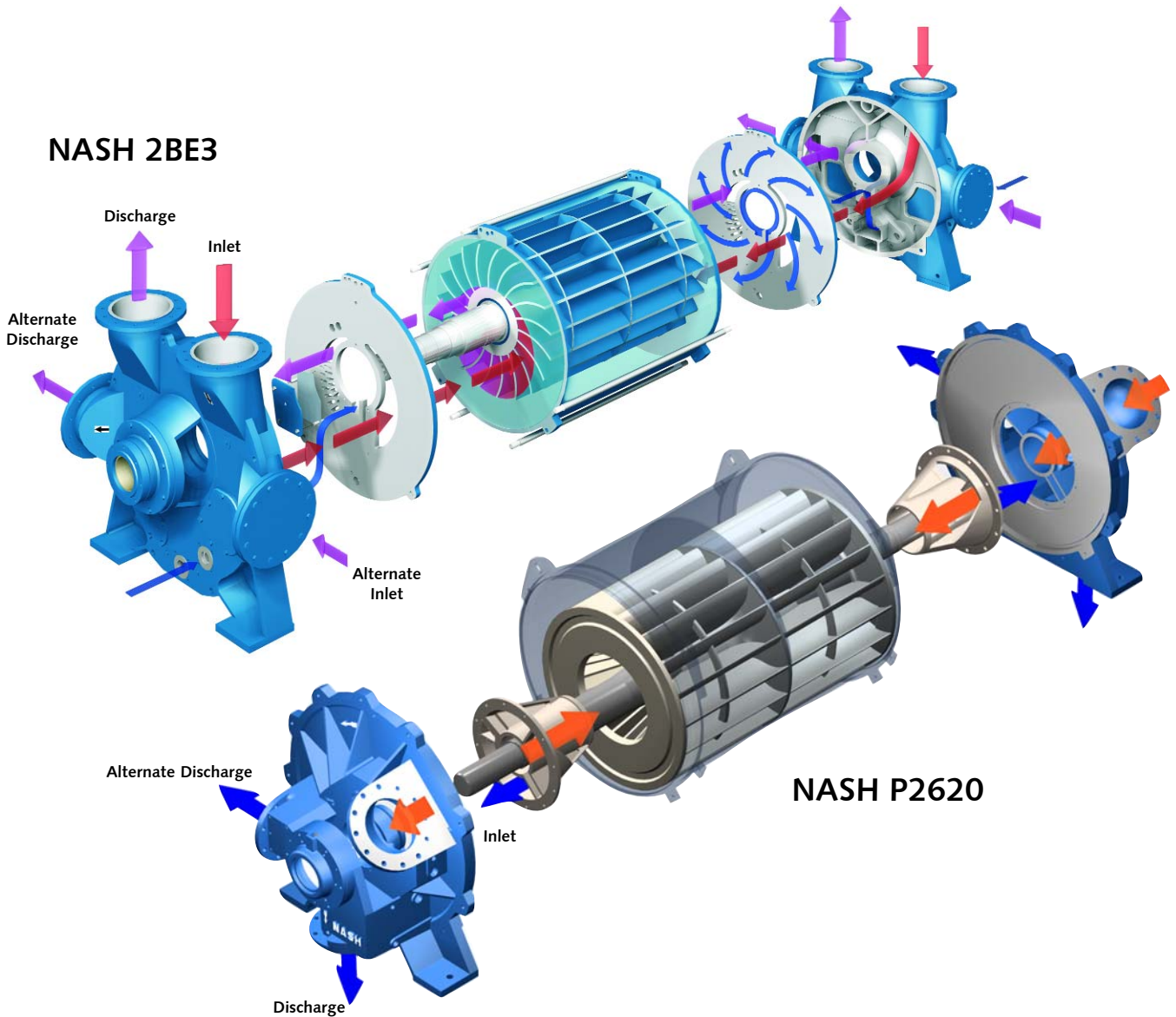
Process industries

NASH 2BE3 and NASH P2620: Superior Performance

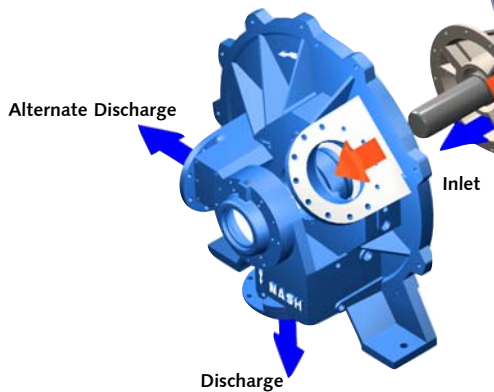
Capacity Range



NASH 2BE3



NASH P2620



NASH 2BE3 and NASH P2620: Dimensions

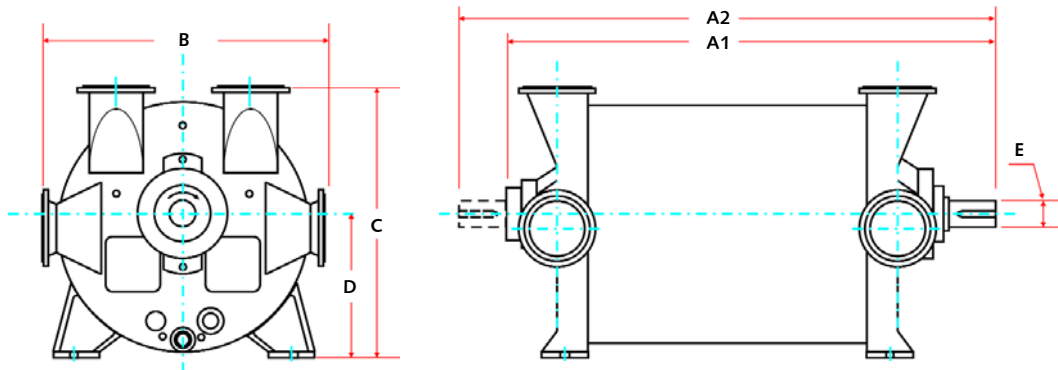
Dimensions

mm in blue

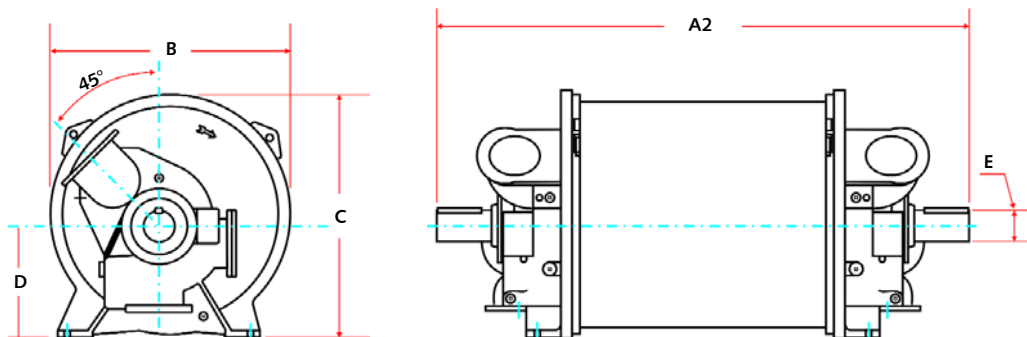
Pump Model	A1	A2	B	C	D	E	Suction Flange / Inlet	Discharge Flange / Outlet
P2620		169 4300	80 2030	79 2005	36 900	9.8 250	16 in. FLG DN 400	14 in. FLG DN 350
2BE3 72	141 3585	155 3945	83 2095	80 2030	42 1060	7.9 200	16 in. FLG DN 400	16 in. FLG DN 400
2BE3 67	133 3390	148 3750	76 1915	75 1900	38 975	7.9 200	14 in. FLG DN 350	14 in. FLG DN 350
2BE3 62	123 3130	135 3440	70 1790	69 1760	35 900	7.1 180	14 in. FLG DN 350	14 in. FLG DN 350
2BE3 60	112 2835	124 3145	70 1790	69 1760	35 900	7.1 180	14 in. FLG DN 350	14 in. FLG DN 350
2BE3 52	112 2855	125 3165	61 1540	59 1490	31 775	6.3 160	12 in. FLG DN 300	12 in. FLG DN 300
2BE3 50	103 2605	115 2915	61 1540	59 1490	31 775	6.3 160	12 in. FLG DN 300	12 in. FLG DN 300
2BE3 42	94 2390	104 2650	51 1285	47 1195	24 620	5.1 130	10 in. FLG DN 250	10 in. FLG DN 250
2BE3 40	83 2100	93 2360	51 1285	47 1195	24 620	5.1 130	10 in. FLG DN 250	10 in. FLG DN 250
2BE3 32	75 1895	83 2110	38 970	37 935	19 475	4.3 110	6 in. FLG DN 150	6 in. FLG DN 150
2BE3 30	65 1660	74 1875	38 970	37 935	19 475	4.3 110	6 in. FLG DN 150	6 in. FLG DN 150

All dimensions are approximate

NASH 2BE3



NASH P2620



NASH 2BE3 and NASH P2620: Technical highlights

Features	Benefits
Polyisoprene lined pump body	Superior corrosion resistance
Stainless steel components available	Added corrosion resistance, application flexibility
Multiple inlet & discharge configurations	Piping flexibility
Top discharge capability on 2BE3 models	Eliminates need for trench, minimizes floorspace
Self-recirculating capability on 2BE3 models	Eliminates need for a pressurized external seal water source
Split vacuum capability	Installation flexibility, minimizes number of pumps
Variable porting	Handles entire vacuum range without changing pump internals
Unique internal construction	Minimizes scale build-up
Large inspection ports	Easier internal inspections
Double extended shafts	Additional installation choices
100% performance tested prior to shipment	Trouble-free startup and operation
Backed by two year warranty and over 100 years of vacuum and compressed gas experience	Peace of mind

NASH 2BE3 and NASH P2620: Technical highlights at a glance

Split vacuum capability

With the addition of the center partition wall (or center shroud) in the pump body, each half of the NASH 2BE3 and NASH P2620 series can operate at different vacuum levels with differential pressures up to 338 mbar (10 in. Hg) between the two pump halves. The advantage of this is significant, because it allows the use of fewer vacuum pumps—which saves space and installation costs.

Quiet operation and easy maintenance

Despite their size and capacity, the NASH 2BE3 and NASH P2620 series pumps are amazingly quiet during operation. Sound levels of 72 to 85 dBA (measured at a distance of 1 meter (3.3 ft) from the source) have been recorded for even the largest of the pump models. Internal inspections are easily performed either through large inspection ports located in the pump heads or through unused discharge connections. No dismantling of the pump is required.

Basic specifications	
Vacuum range	to 160 mbar abs. / to 4.7 in Hg abs
Mechanical seals	Single, double (on request), stuffing box
Differential pressure capability	800 mbar / 11.6 psi
Compressor pressure	> 2 bar abs. / 15 psig
Construction material	Ductile iron, stainless steel, combination of both materials

Robust, reliable and ready

Because the internal components rotate without making contact, liquid ring vacuum pumps are practically wear and maintenance free. The standard polyisoprene lining on the pump body resists aggressive process gases and liquids to provide exceptional corrosion resistance. The polyisoprene lining also saves you energy. Tests have shown that, over their lifetimes, pumps with our polyisoprene lining consume less energy than the equivalent unlined pump. For added corrosion resistance, stainless steel internal components are available in certain models. Double-row tapered roller bearings extend pump life in both gear and direct drive applications.

Installation flexibility

Due to the design of the pump heads, the NASH 2BE3 and NASH P2620 models offer many options for connecting both the inlet and discharge piping in order to simplify installation in both new facilities or existing facilities where headroom and space is limited.

Self-recirculation capability

The NASH 2BE3 models help minimize water consumption through their ability to internally recirculate seal water – without the need for circulating pumps or external controls. The design of the internals also allows the pump to draw water from an atmospheric tank without an external pumping source, eliminating the need for expensive pumps and control systems.

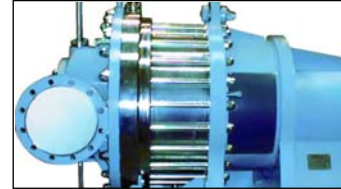
Other NASH Products

2BV Compact liquid ring vacuum pumps built for serious cost savings
Use up to 50 percent less water than other liquid ring pumps
Monoblock and pedestal designs available
Capacity of 4 to 350 CFM with vacuum to 29+'' HgV
Capacity of 7 to 595 m³/h with vacuum to 33 mbar abs



GARO Compressors

Highly rugged and reliable compressors that can handle
highly toxic, explosive and corrosive gases
Specifically developed for applications such as flare-gas,
chlorine and Vinyl Chlorine Monomer (VCM) recovery
Capacity of 2,200 SCFM with pressure to 200 PSIG
Capacity of 100 to 3,400 m³/h with pressure to 15 bar abs
Single and two stage models available



Vectra

Liquid ring vacuum pumps and compressors
Available in feature rich budget designs (XL or GL)
Designed to handle high back pressure requirements
Capacity of 115 to 2,860 CFM with vacuum to 29'' HgV
Capacity of 195 to 4,860 m³/h with vacuum to 31 mbar abs



TC/TCM

Integral 2 stage liquid ring pumps with improved
performance at vacuum levels down to 0.8'' HgA / 27 mbar abs
Designed to handle large amounts of liquid
carryover without difficulty
Capacity of 100 to 2,200 CFM with vacuum to 0.8'' HgA
Capacity of 170 to 3,740 m³/h with vacuum to 27 mbar abs



Steam Jet Ejector

Sizes range from one-inch (25 mm) to 78-inch (2 meters) inlets
Capacities range from 20 CFM to 20,000 CFM
Capacities range from 34 m³/h to 34,000 m³/h
Multi-stage system pressures as low as 0.001 HgA



Gardner Denver
Liquid Ring Pump Division
9 Trefoil Drive
Trumbull, CT 06611 U.S.A.
phone: 1 800 553 NASH
+ 1 203 459 3900
fax: + 1 203 459 3988
nash@gardnerdenver.com
GardnerDenverNash.com